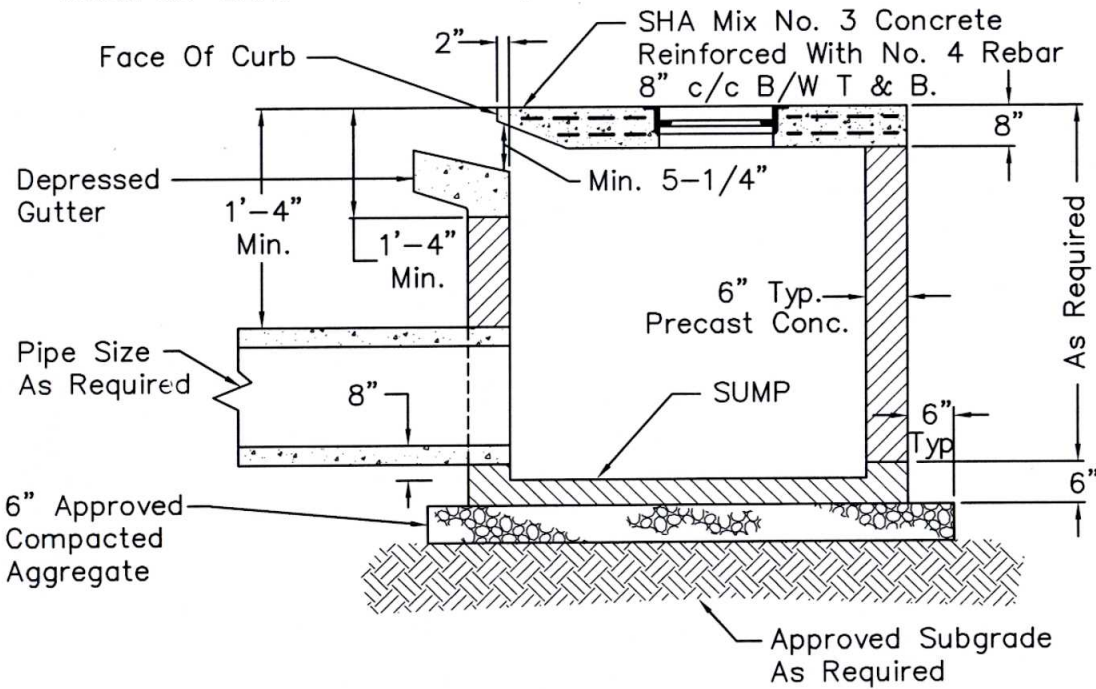
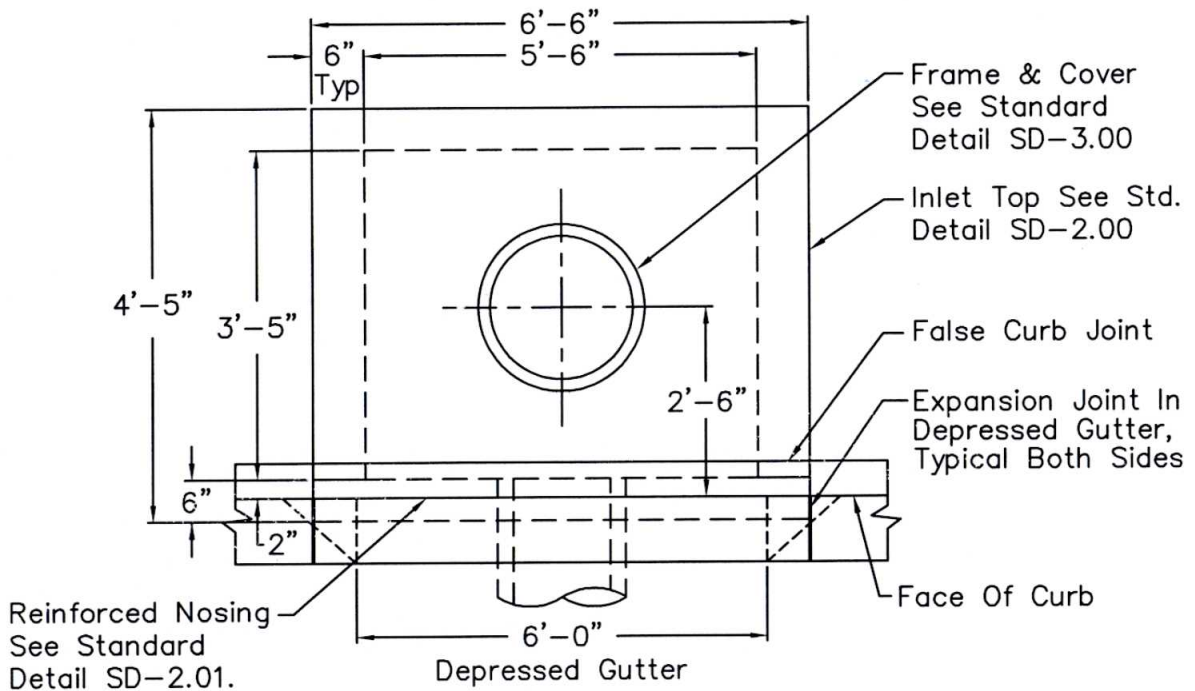


P:\STANDARD\DETAILS\8000 City Details\Easton MD\DETAILS\sd-100.dwg Mar 05, 2009 - 4:51pm, (neug)



Notes:

1. Provide Lift Hooks In Unexposed Surfaces To Accommodate Field Placement.

APPROVAL _____

M. J. Funder 2/25/09
TOWN ENGINEER DATE

REVISED

- OCT 1, 88
- APR 1, 98
- JUN 10, 98
- FEB 1, 06
- FEB 25, 09

TOWN OF EASTON
AND
EASTON UTILITIES
STANDARD DETAILS
CURB INLET

ISSUED: MAY 1, 1986

STANDARD NO. SD-1.00

